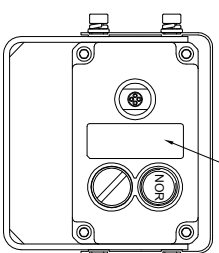
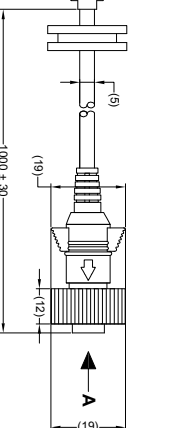
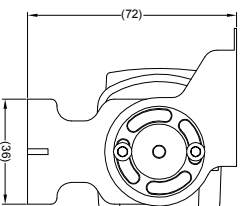
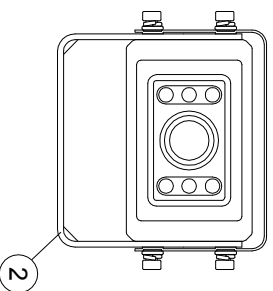
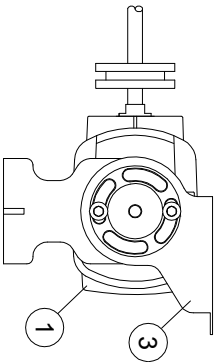
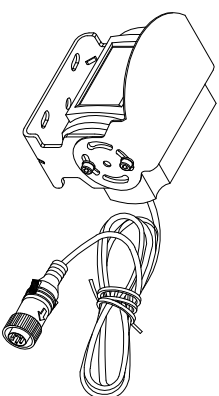
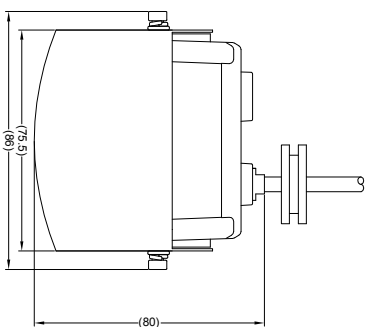
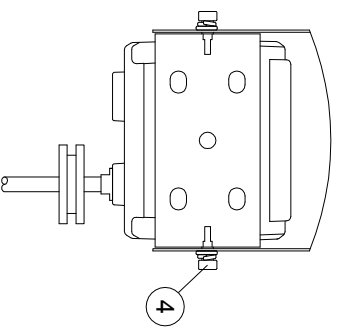
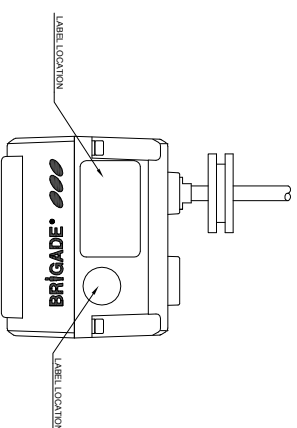
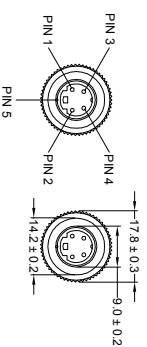


ITEM	PART NO	QTY	MODEL/DESCRIPTION
①	(#3288B)	1	BE-890C-C CAMERA ONLY
②	(#3244)	1	BE-89X/C/BE-X0XC-BKT CAMERA BRACKET
③	(#3245)	1	BE-89X/C/BE-X0XC-SS CAMERA SUNSHIELD
④	(#3246)	1	BE-2XXC/8XXC-FIX CAMERA FIXING PACK
⑤	(#3247)	1	BE-89XC/BE-X0XC-IG INSTALLATION GUIDE (NOT SHOWN)



**VIEW B**

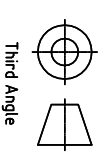


PIN #	WIRE COLOUR	DESCRIPTION
1	YELLOW	VIDEO
2	RED	+12V
3	BLUE	N.C
4	WHITE	AUDIO
5	BLACKSHIELD	GND

- NOTES:
1. REFER TO "PRODUCT SPECIFICATION" FOR MORE DETAILS.
  2. REFER TO COMPONENT DRAWINGS FOR COMPONENT DETAILS.
  3. ENSURE SELF-AMALGAMATING TAPE IS USED DURING INSTALLATION.
  4. ANY CUSTOMER MODIFICATION OF THIS PRODUCT CAUSING SUBSEQUENT FAILURE IS NOT A LIABILITY OF BRIGADE ELECTRONICS PLC.

**PROPRIETARY NOTICE**  
 THIS DESIGN AND TECHNICAL INFORMATION APPEARING ON THIS DRAWING IS THE PROPERTY OF BRIGADE ELECTRONICS, AND IS DISCLOSED IN CONFIDENCE. IT IS NOT TO BE COPIED, REPRODUCED, REVEALED TO OR EXPLOITED BY OTHERS, EITHER IN WHOLE OR IN PART WITHOUT THE EXPRESS WRITTEN CONSENT OF BRIGADE ELECTRONICS.

**BRIGADE®**  
 www.brigade-electronics.com



Assembly PI Approval		Approved by DKERALI		Checked by JNEWMAN		Drawn by MBUTLER	
Angle of Projection	Third Angle	Units mm	Scale N/A	Released 13/07/10	Assembly Ref ECC-72HPPL-0083	Status RELEASED	Part No #2871B
						BE-890C	
						BE-001107-01-10	